

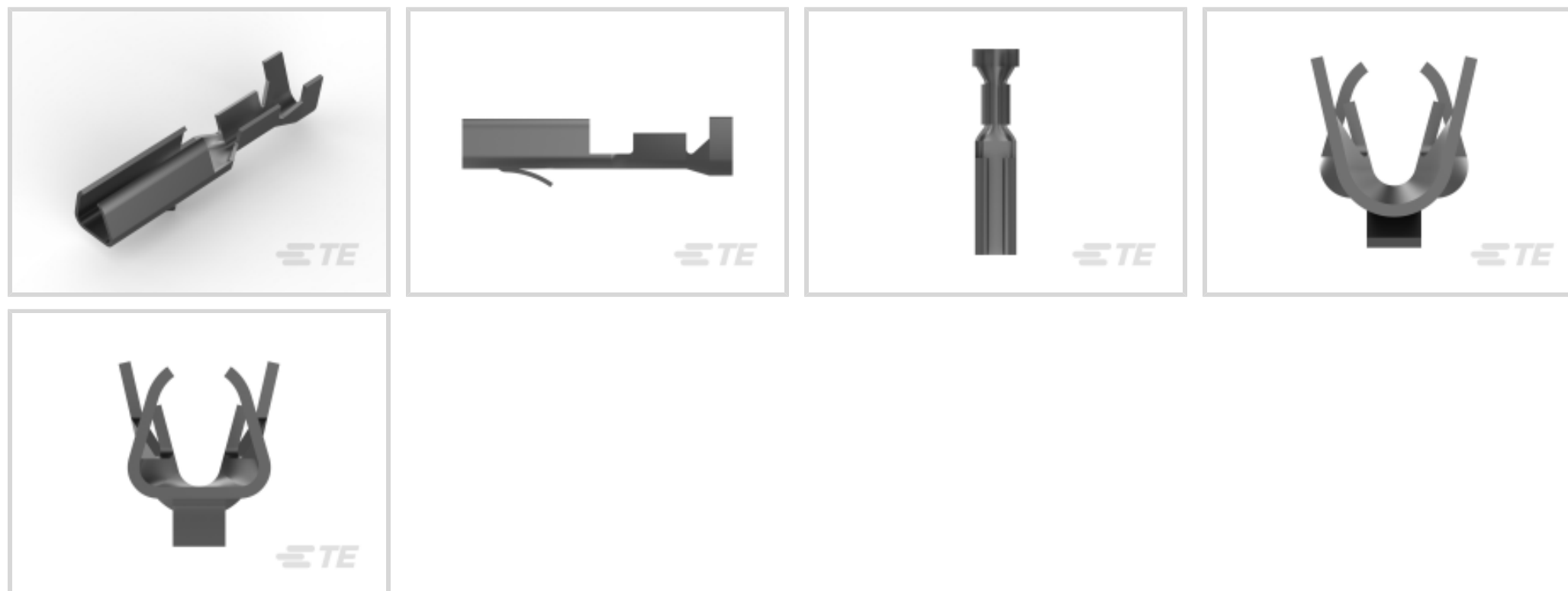


TE Internal #: 170073-5

Crimp Wire Pins, Tabs & Ferrules, Receptacle, Pin Diameter 2.36 mm [.093 in], 24 – 20 AWG Wire Size, .2 – .6 mm² Wire Size, 404 – 1021 CMA Wire Size

[View on TE.com >](#)

Terminals & Splices > Crimp Wire Pins, Tabs & Ferrules



Crimp Wire Pin, Tab & Ferrule Terminal Type: **Receptacle**

Pin Diameter: **2.36 mm [.093 in]**

Accepts Wire Insulation Diameter Range: **1.2 – 2.8 mm, 2.8 mm [.047 – .11 in, .11 in]**

Wire Size: **.2 – .6 mm²**

Features

Product Type Features

Compatible With Discrete Wire Type	Stranded
------------------------------------	----------

Configuration Features

Compatible With Wire & Cable Type	Discrete Wire
-----------------------------------	---------------

Contact Features

Crimp Wire Pin, Tab & Ferrule Terminal Type	Receptacle
Barrel Type	Open
Terminal Plating Material	Pre-Tin
Terminal Orientation	Straight

Mechanical Attachment

Wire Insulation Support	With
-------------------------	------

Dimensions

Pin Diameter	2.36 mm [.093 in]
Accepts Wire Insulation Diameter Range	1.2 – 2.8 mm, 2.8 mm [.047 – .11 in][.11 in]
Wire Size	404 – 1021 CMA
Barrel Inside Diameter	.89 mm, 1.9 mm [.035 in][.074 in]



Terminal Material Thickness	.25 mm[.01 in]
-----------------------------	----------------

Overall Product Length	16.7 mm[.66 in]
------------------------	-----------------

Usage Conditions

Insulation Option	Uninsulated
-------------------	-------------

Operation/Application

Heavy Duty	No
------------	----

Packaging Features

Packaging Method	Reel
------------------	------

Other

Comment	With locking lance.
---------	---------------------

Product Compliance

[For compliance documentation, visit the product page on TE.com>](#)

EU RoHS Directive 2011/65/EU	Compliant
------------------------------	-----------

EU ELV Directive 2000/53/EC	Compliant
-----------------------------	-----------

China RoHS 2 Directive MIIT Order No 32, 2016	No Restricted Materials Above Threshold
---	---

EU REACH Regulation (EC) No. 1907/2006	Current ECHA Candidate List: JUNE 2022 (224) Candidate List Declared Against: JUNE 2022 (224) Does not contain REACH SVHC
--	---

Halogen Content	Low Halogen - Br, Cl, F, I < 900 ppm per homogenous material. Also BFR/CFR/PVC Free
-----------------	---

Solder Process Capability	Not applicable for solder process capability
---------------------------	--

Product Compliance Disclaimer

This information is provided based on reasonable inquiry of our suppliers and represents our current actual knowledge based on the information they provided. This information is subject to change. The part numbers that TE has identified as EU RoHS compliant have a maximum concentration of 0.1% by weight in homogenous materials for lead, hexavalent chromium, mercury, PBB, PBDE, DBP, BBP, DEHP, DIBP, and 0.01% for cadmium, or qualify for an exemption to these limits as defined in the Annexes of Directive 2011/65/EU (RoHS2). Finished electrical and electronic equipment products will be CE marked as required by Directive 2011/65/EU. Components may not be CE marked. Additionally, the part numbers that TE has identified as EU ELV compliant have a maximum concentration of 0.1% by weight in homogenous materials for lead, hexavalent chromium, and mercury, and 0.01% for cadmium, or qualify for an exemption to these limits as defined in the Annexes of Directive 2000/53/EC (ELV). Regarding the REACH Regulation, the information TE provides on SVHC in articles for this part number is based on the latest European Chemicals Agency (ECHA) 'Guidance on requirements for substances in articles' posted at this URL: <https://echa.europa.eu/guidance-documents/guidance-on-reach>

Compatible Parts



Documents

Product Drawings

PIN WITH LANCE .093 REC 24-20 PRE-TPBR

English

CAD Files

3D PDF

3D

Customer View Model

[ENG_CVM_CVM_170073-5_Z.2d_dxf.zip](#)

English

Customer View Model

[ENG_CVM_CVM_170073-5_Z.3d_igs.zip](#)

English

Customer View Model

[ENG_CVM_CVM_170073-5_Z.3d_stp.zip](#)

English

By downloading the CAD file I accept and agree to the [Terms and Conditions](#) of use.



Product Specifications

2.36DIA PIN RECEPTACLE FOR MULTI/SINGLE CIRCUIT CONNECTOR

English

Product Specification

English

Product Specification

English

2.36DIA Pin Connector for PCB

English

2-POSITIONED RECEPTACLE HOUSING FOR 2.36 PIN

Japanese

2-POSITIONED RECEPTACLE HOUSING FOR 2.36 PIN

English

Product Specification

Japanese

Product Specification

English